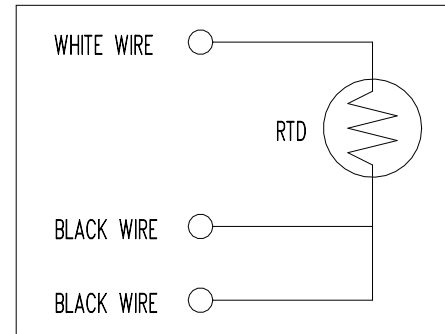


RTD ELEMENT POTTED IN  
300 SERIES STAINLESS  
STEEL PROBE HOUSING

1/8"-27 NPT  
THREAD (RHT)

24 AWG, STRANDED CONDUCTOR,  
SINGLE CONDUCTOR,  
TEFLON INSULATED LEAD WIRES

STRIP  
0.250"  
± 0.070"



| REV              | DESCRIPTION     | DATE       | APP |
|------------------|-----------------|------------|-----|
| 0                | INITIAL RELEASE | 02/12/2019 | DD  |
| REVISION HISTORY |                 |            |     |

EI SENSOR TECHNOLOGIES

www.ei-sensor.com

© COPYRIGHT

P/N ERP10016

RTD PROBE ASSEMBLY

DRAWN BY: DAN DANKERT

SCALE: NONE LAYER: 0 OF 2

REV: 0 DATE: 02/12/2019

RTD ELEMENT RESISTANCE @ 0°C = 1,000 Ω ± 0.06%

RTD ELEMENT ACCURACY @ 0°C = ± 0.15°C

RTD ELEMENT ACCURACY = DIN 43760 CLASS "A"

TCR = 3,850 ppm/°C

MAXIMUM TEMPERATURE RATING = +200°C

ROHS COMPLIANT

This PROPRIETARY document is the property of EI Sensor Technologies. It is confidential in nature, non-transferrable and issued with the understanding that it is not to be traced or copied without permission, and is returnable on demand.