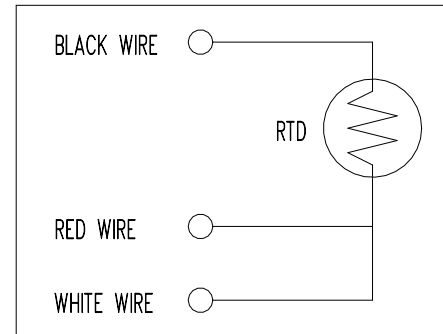


RTD ELEMENT POTTED IN  
300 SERIES STAINLESS  
STEEL PROBE HOUSING

3/8"-18 NPT  
THREAD (RHT)



REV	DESCRIPTION	DATE	APP
0	INITIAL RELEASE	02/11/2019	DD
REVISION HISTORY			

EI SENSOR TECHNOLOGIES www.ei-sensor.com © COPYRIGHT	RTD PROBE ASSEMBLY	
	DRAWN BY: DAN DANKERT	
P/N ERP10013	SCALE: NONE	LAYER: 0 OF 2
	REV: 0	DATE: 02/11/2019

This PROPRIETARY document is the property of EI Sensor Technologies. It is confidential in nature, non-transferrable and issued with the understanding that it is not to be traced or copied without permission, and is returnable on demand.

RTD ELEMENT RESISTANCE @ 0°C = 1,000 Ω ± 0.06%  
 RTD ELEMENT ACCURACY @ 0°C = ± 0.15°C  
 RTD ELEMENT ACCURACY = DIN 43760 CLASS "A"  
 TCR = 3,850 ppm/°C  
 MAXIMUM TEMPERATURE RATING = +105°C

MOISTURE RESISTANT PROBE ASSEMBLY

ROHS COMPLIANT