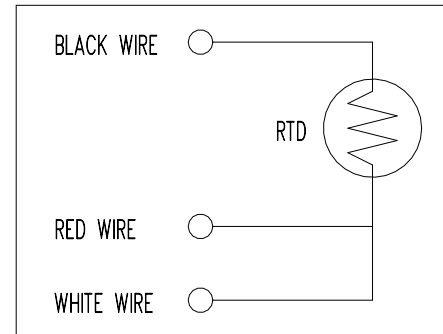


RTD ELEMENT POTTED IN
300 SERIES STAINLESS
STEEL PROBE HOUSING

1/4"-18 NPT
THREAD (RHT)



| REV | DESCRIPTION | DATE | APP |
|------------------|-----------------|------------|-----|
| 0 | INITIAL RELEASE | 02/11/2019 | DD |
| REVISION HISTORY | | | |

| | | |
|--|-----------------------|------------------|
| EI SENSOR TECHNOLOGIES www.ei-sensor.com © COPYRIGHT | RTD PROBE ASSEMBLY | |
| | DRAWN BY: DAN DANKERT | |
| P/N ERP10012 | SCALE: NONE | LAYER: 0 OF 2 |
| | REV: 0 | DATE: 02/11/2019 |

This PROPRIETARY document is the property of EI Sensor Technologies. It is confidential in nature, non-transferrable and issued with the understanding that it is not to be traced or copied without permission, and is returnable on demand.

RTD ELEMENT RESISTANCE @ 0°C = 1,000 Ω ± 0.06%
 RTD ELEMENT ACCURACY @ 0°C = ± 0.15°C
 RTD ELEMENT ACCURACY = DIN 43760 CLASS "A"
 TCR = 3,850 ppm/°C
 MAXIMUM TEMPERATURE RATING = +105°C

MOISTURE RESISTANT PROBE ASSEMBLY

ROHS COMPLIANT